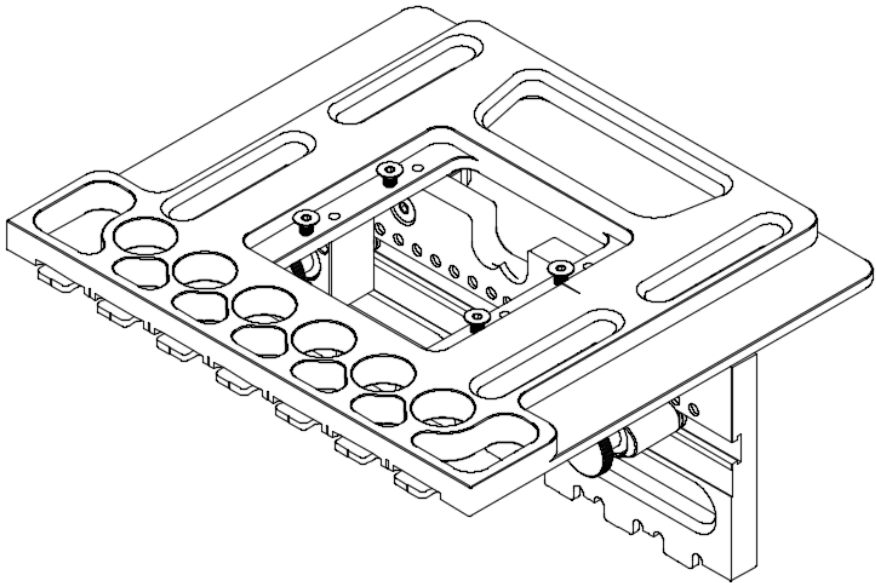
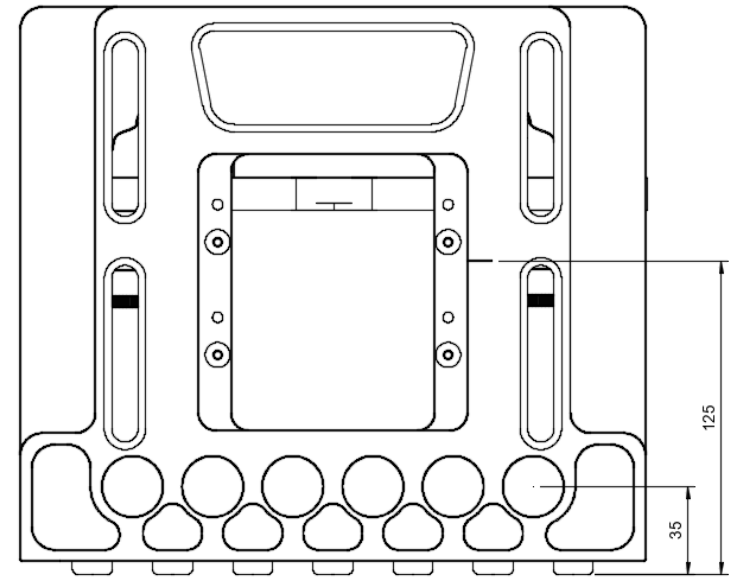
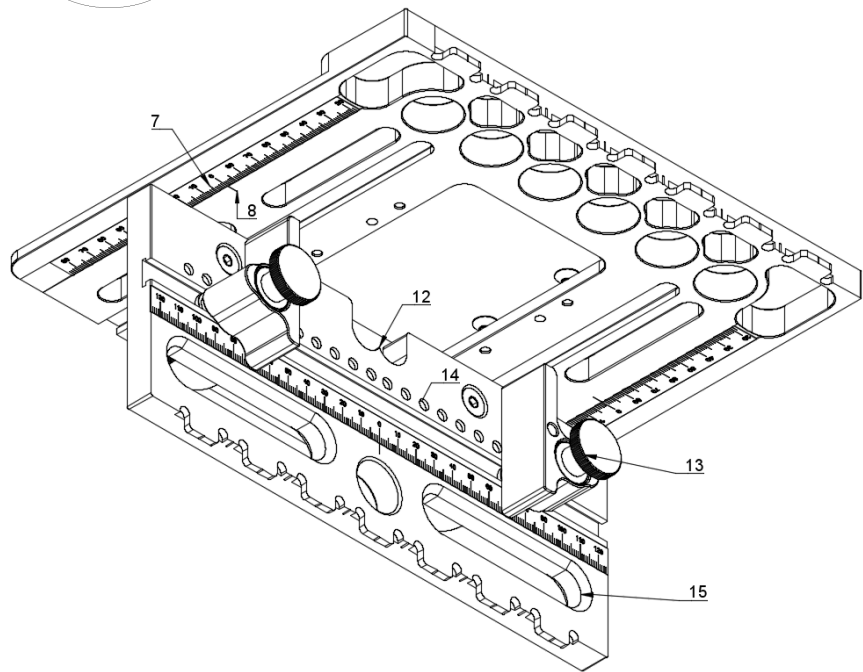
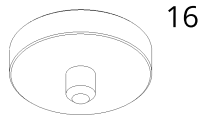
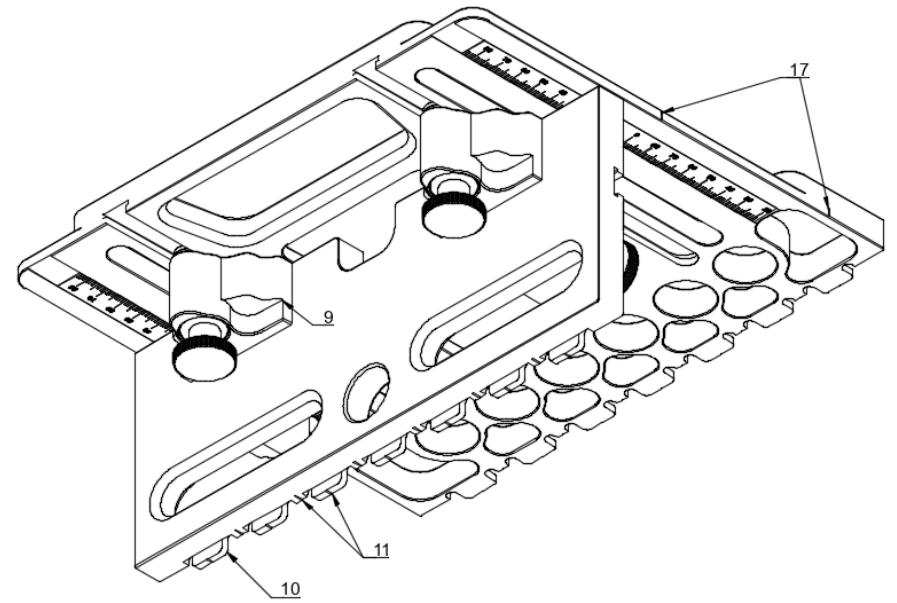
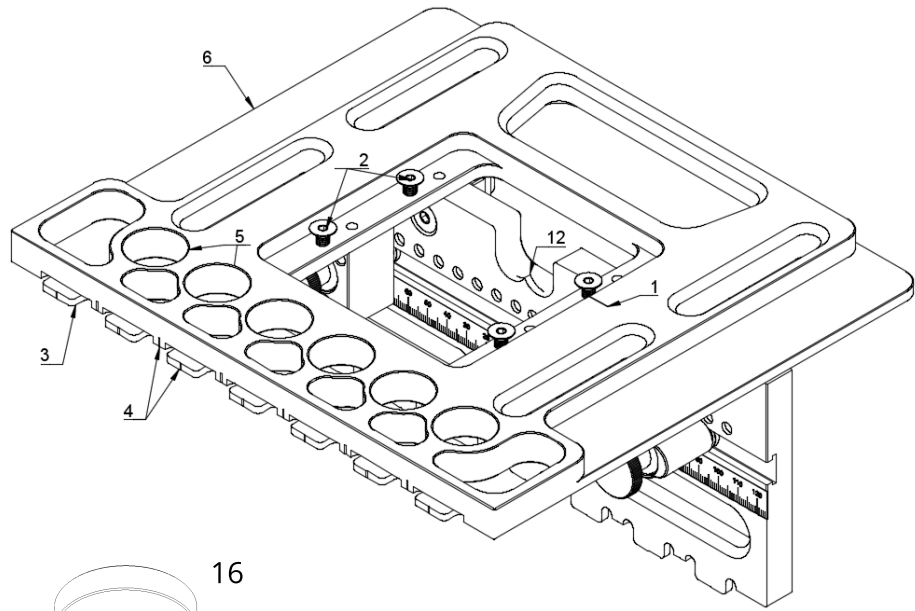




MF32 Multifunctional Router Jig





The MF32 Multifunctional Router Jig takes inserts to make the whole European standard system 32 range such as dowels, pin holes, drawer runners, handles, hinges, Domino DF500, Domino DF700, Lamello Cabineo and almost the full connector range of Hettich and Häfele! Inserts are used with a router and 24MM copy ring. The router jig also works with the Mafell Duo Dowel rail for fast, accurate and repeatable positions.

The MF32 is precision CNC'd from 6082 Aluminum and natural anodised for protection.

BASE

The insert slot fits the different inserts made for the MF32. A marker (1) indicates the position of the insert opposed to which screw holes to use. Use the included M5x12 (2) countersunk screws to tighten your insert into the base.

The front of base have teeth (3) with a 16mm spacing, these teeth fit in the Mafell guide template for fast and accurate repetitive positions.

Center marks (4) are provided with a 16mm spacing for accurate positioning of the jig based on the Euro system 32. You can hereby have the center location of the jig as also have the center of the system 32 holes (5).

On the outside of the base are 2 lower surfaces that can be used for clamping (6) using standard rail clamps such as from Bessey, Festool or Piher. Due to the surface being lower and in combination of rail clamps, they will not be in the way of your router base.

The bottom of the base has 2 measurement strips (7) on both sides.

The center mark (8) provides the center of the inserts and measurement strip (7). The measurement starts from the center mark ,to position your fence and also from the center of the system 32 holes (5). The center points of the inserts and system 32 are also marked on the outside (17).

The base has a row of 6 holes that is used to make shelf holes with 32mm spacing. Use the 5mm locating pin (16) in the system 32 holes (5) to move the base for the next set of holes and keeping the 32mm spacing.

FENCE

The fence moves back and forth by loosening and tightening the thumbscrews on the fence clamps (9) You can slide the fence in the desired position by following the measurement strips on the base (10). Same as the base, the fence has teeth (1) with a 16mm spacing, these teeth fit in the Mafell guide template for fast and accurate repetitive positions.

Center marks (11) are provided with a 16mm spacing for accurate positioning of the jig based on the Euro system 32.

The fence has a center indicator (12) that allows you to accurately center the jig on your workpiece. The indicator is the center point of both jig and inserts.

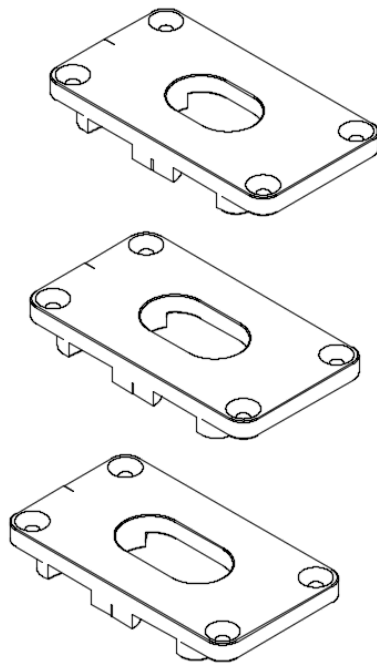
The fence has 2 end stops (13). The end stops can be positioned freely according to the measurement strip or can be used with the 10mm interval fixed positions (14) , the end stops have a springloaded ballbearing that locks in place in the fixed positions. The end stops also act as a support and positioning for narrow stock. 2 slots (15) are provided in the fence so it is easy to put small rail clamps in for better clamping of the fence on the workpiece.

If any movable parts slides a bit difficult it is recommended to use dry lubrication coating.

If your copy ring feels too tight, rub over it with a soft sanding paper or vlies as every copyring has different tolerances and might be a tight fit for some.

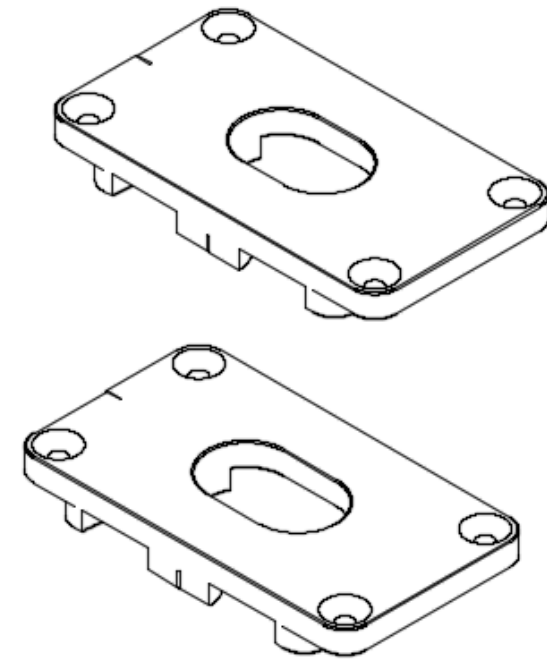
Domino DF500 Insert

Make easy joints with the Domino DF500 insert set for the MF32 Multifunctional Router Jig. Replicate the same mortices as the Festool Domino DF500 using your hand held router and a 24mm copy ring. The Domino DF500 insert set includes 3 different widths, same as the Festool Domino DF500 machine. The widths that can be made are 13MM+Router bit diameter, 19MM+Router bit diameter, 23MM+Router bit diameter. The bottom of the inserts have open pockets to allow dust and woodchips to be moved out better. Optimal minimum width for stock 45mm on the narrowest insert 50mm on the medium insert and 60 on the widest insert. The depth of the mortice depends on the depth possibilities of your router and/or router bits. All inserts have position mark for the correct location in the base and center marks on the side to allow positioning with marks on your workpiece.



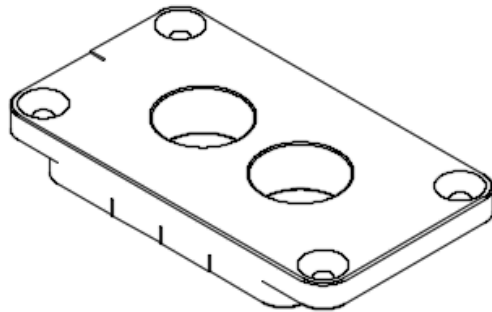
Domino DF700 Insert

Make easy joints with the Domino DF700 insert set for the MF32 Multifunctional Router Jig. Replicate the same mortices as the Festool Domino DF700 using your hand held router and a 24mm copy ring. The Domino DF700 insert set includes 2 different widths, same as the Festool Domino DF700 machine. The widths that can be made are 13MM+Router bit diameter, 16,5MM+Router bit diameter. The bottom of the inserts have open pockets to allow dust and woodchips to be moved out better. Optimal minimum width for stock 45mm on the narrowest insert and 50mm on the medium insert. The depth of the mortice depends on the depth possibilities of your router and/or router bits. Both inserts have position mark for the correct location in the base and center marks on the side to allow positioning with marks on your workpiece.



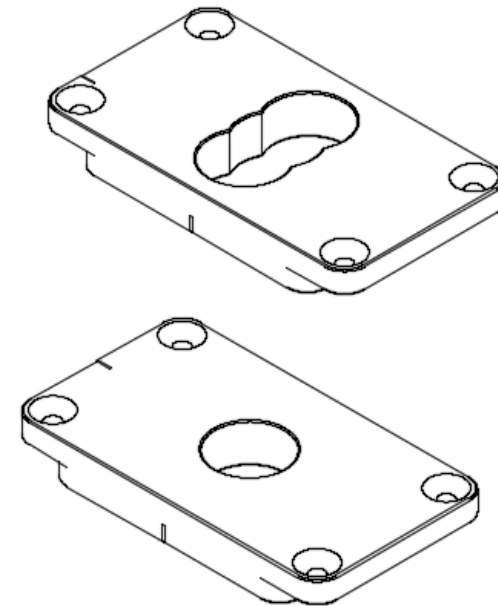
Dowel32 Insert

The Dowel 32 insert for MF32 Multifunctional Router Jig allows you to make wooden dowel joinery with a 32mm spacing. The insert works with a 24mm copy ring and router and dedicated drill bits from 5 to 12MM with 8mm shank. You can also use this insert for making traditional RTA cam connectors such as Hettich Rastex or Häfele Minifix and the new Häfele Ixconnect. The insert has a position mark for the correct location in the base and 3 center marks on the side to allow positioning with marks on your workpiece. The outside marks are the center of each dowel hole and the middle mark is the center of the 32mm spacing.



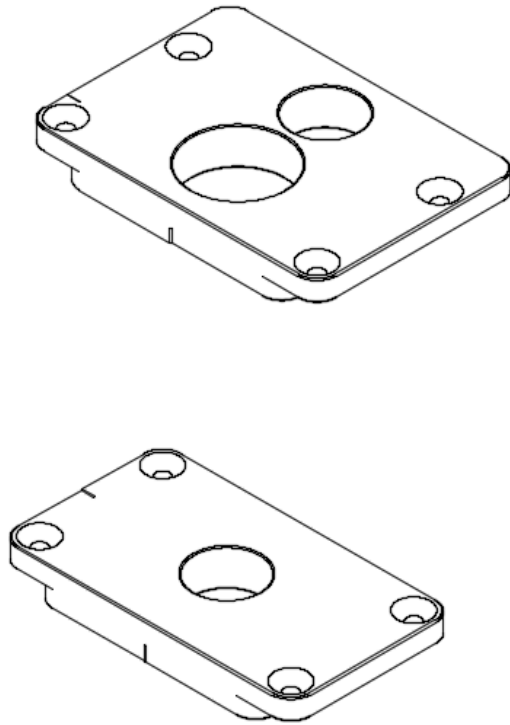
Lamello Cabineo Insert

Lamello Cabineo insert set allows you to make the slots to fit the Lamello Cabineo connectors for the MF32 Multifunctional Router Jig. The insert works with a 24mm copy ring and 5mm + 15mm router bits. The set includes the Cabineo insert for the connectors and the center hole insert for the assembly screw. Both inserts have a position mark for the correct location in the base and center marks on the side to allow positioning with marks on your workpiece. The Cabineo insert has an offset of 3,6mm from the 0 mark on your base. The 3,6mm offset is the correct position for the Lamello Cabineo connectors. Use a 24mm copy ring with a 15MM router bit to plunge the holes.



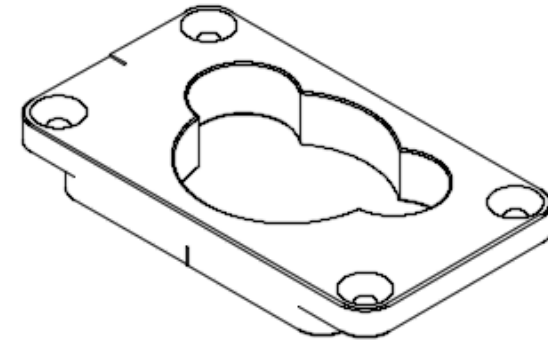
Rafix - VB Connector Insert

Easily route the Hettich VB and Häfele Rafix connectors with the Rafix - VB connector insert and the MF32 Multifunctional Router Jig. The insert works with a 24mm copy ring and 5mm + 10mm router bits. The set includes the Rafix - VB Connector insert for the connectors and the center hole insert for the assembly screw. Rafix - VB Connector Insert has an offset of 9,5mm from the 0 mark on your base. The 9,5mm offset is the correct position for the Rafix and VB connectors. Both inserts have position mark for the correct location in the base and center marks on the side to allow positioning with marks on your workpiece.



Hinge 45/9,5 Insert

Easily drill concealed cup hinges with drilling patterns 45/9,5 with the hinge insert for MF32 Multifunctional Router Jig. The drilling patterns 45/9,5 will work for concealed cup hinges of Hettich, Häfele, Blum and Grass. Make sure you have the correct hinges with the 45/9,5 patterns as many brands have different drilling pattern options. The hinge insert comes with a depth gauge for 10mm continuous shanks. The 2 smaller outside holes fit a 24mm copy ring so you can pre drill with a 10mm or 8mm router/drill bit and your router the holes if you use press fit, flash fit or fix fast assembly. The insert has a position mark for the correct location in the base and center marks on the side to allow positioning with marks on your workpiece.



For any questions please contact us

Dominofix - Tools & Accessories

info@dominofix.com

www.dominofix.com

Hallitie 16V5

96320 Rovaniemi

Finland